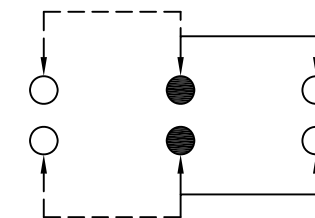
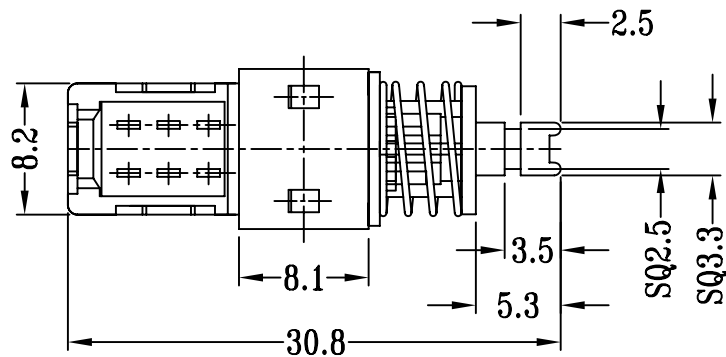
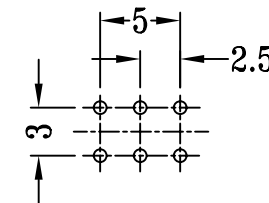
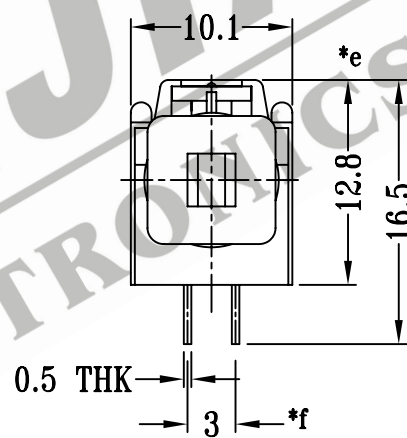
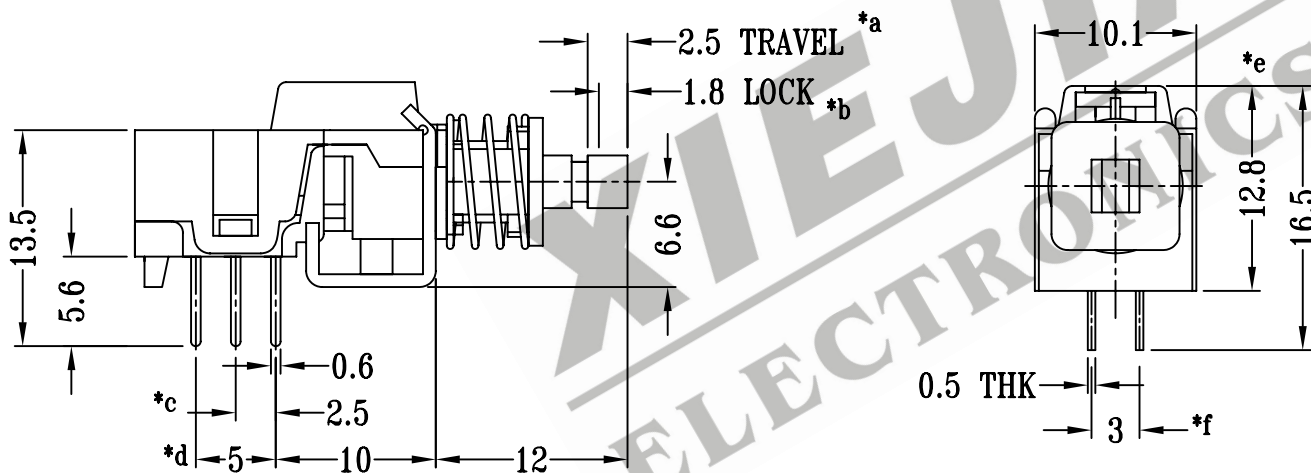


CAD FILE:



SCHEMATIC (NON-SHORTING)



P.C.B LAYOUT

注:带"*"表示关键尺寸(6个)

NO.	PART NAME	MATERIAL	Q'TY	FINISHING
9	CONTACT CLIP	PBS	2	Ag CLAD
8	CAM STICK	STAINLESS STEEL	1	NATURAL
7	SPRING PLATE	PBS STRIP	1	NATURAL
6	KNOB	POM	1	WHITE
5	SPRING	STAINLESS STEEL	1	NATURAL
4	CASE	PC	1	MILKY
3	SUPPORT	STEEL STRIP	1	Ni PLATED
2	HOUSING	ABS	1	BLUE
1	TERMINAL	BRASS STRIP	6	Ag PLATED OVER Ni PLATED

TOLERANCE UNLESS SPECIFIED		SHENZHEN XIEJIA ELECTRONICS CO.,LTD.			
WITHIN: 1.5±0.1mm OVER : 1.5±0.2mm		ISSUE	DATE	DESCRIPTIONS	APPD.
TITLE : PLASTIC PUSH SWITCH		UNIT : MM		DRWG NO.: XJ-DR-PBS22E01-00	
MODEL: PBS-22E01		SCALE: 2:1		DWN.	ZHOUYU
ALL MATERIALS MUST BE COMPLIANT TO ROHS				CHK'D	FANGYING
				APPD.	KANGXINAN
					2003-8-11
					2003-8-11
					2003-8-11